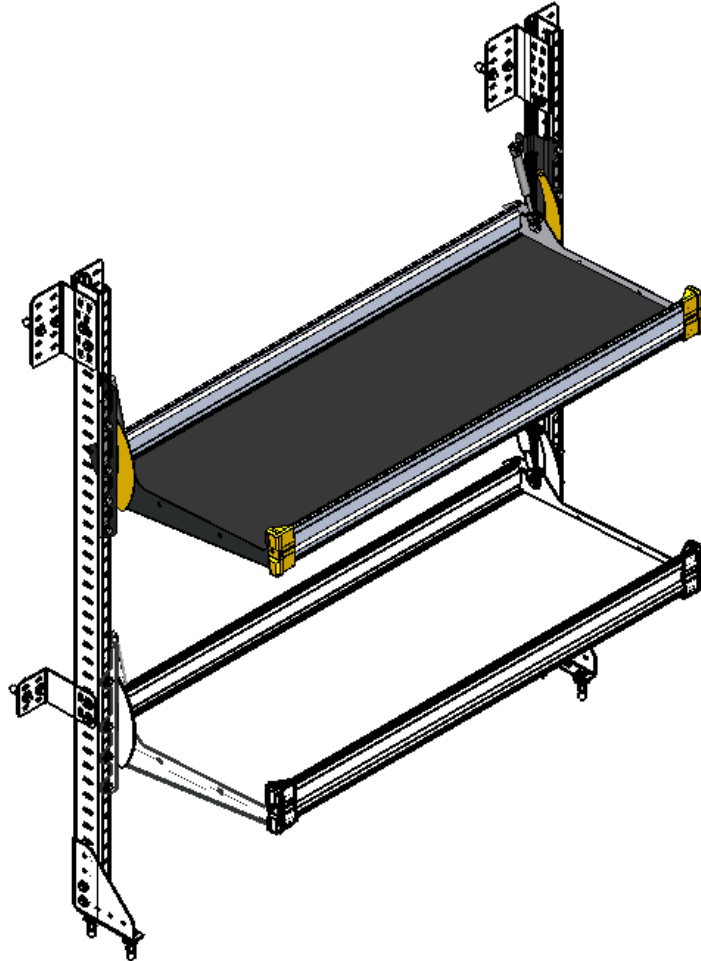


INSTALLATION GUIDE



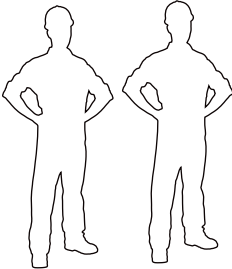
84-U2060 Fold-Away Shelf Tray

QUICK START GUIDE

Phase 1 - Assembly

- 1.1 Setup..... 3 - 4
- 1.2 Fold-Away Shelf Tray Assembly..... 5 - 10

REQUIRED ITEMS



**2
PERSONS**

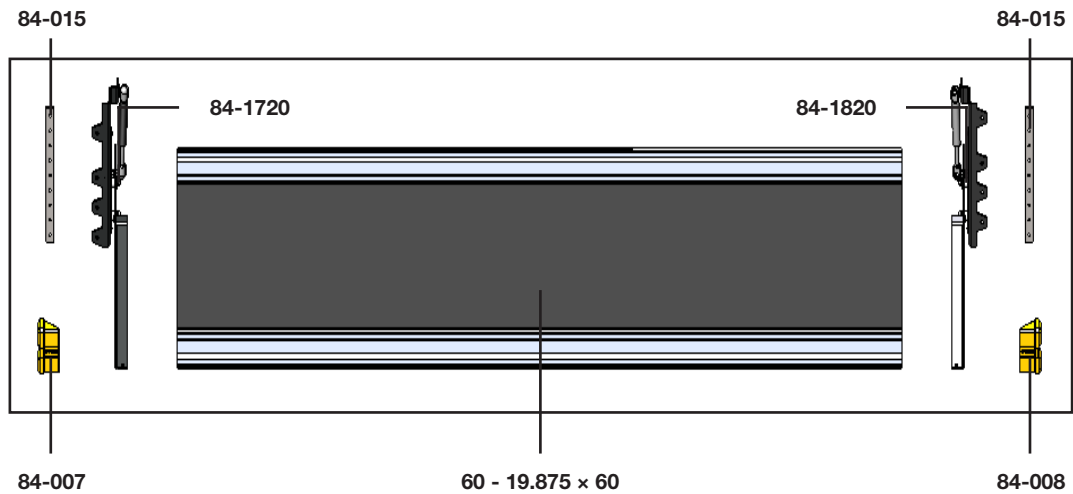
- Cordless Impact
- Tape Measure
- 1/2" Socket
- 3/8" Driver Bit
- Knife

PHASE 1 – ASSEMBLY

1.1 SETUP

1.1.1 Unpack components; compare with the bill of materials.

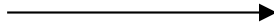
84-U2060



1.1.2 Verify all parts are present.

Item No.	Description	Qty.
84-007	End Cap (Left)	2
84-008	End Cap (Right)	2
84-015	Threaded Plate	4
84-1720	End Panel (Left)	2
84-1820	End Panel (Right)	2
60-19.875x20	Shelf Tray	2
94-3056	Assembly Fastener Kit	2
96-3038	Install Fastener Kit	2

94-3056



Fastener Assembly

8x



92-102

Screw HWH
#14 x 1"
ZINC

8x



#92-102 Screw #14 x 1"

4x



96-200

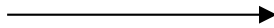
Multi-grip alum/steel
3/16" x 1/2"

4x



#96-200 Closed Rivet

96-3038



Fastener Assembly

8x



90-204

Hex Bolt
5/16"-18 x 3/4"
GR-5 ZINC

8x



#90-204 Hex Bolt 5/16" x 3/4"

8x



98-116

Flat Washer
5/16"
ZINC



#98-122 Lock Washer

8x



98-122

Lock Washer
5/16"
ZINC

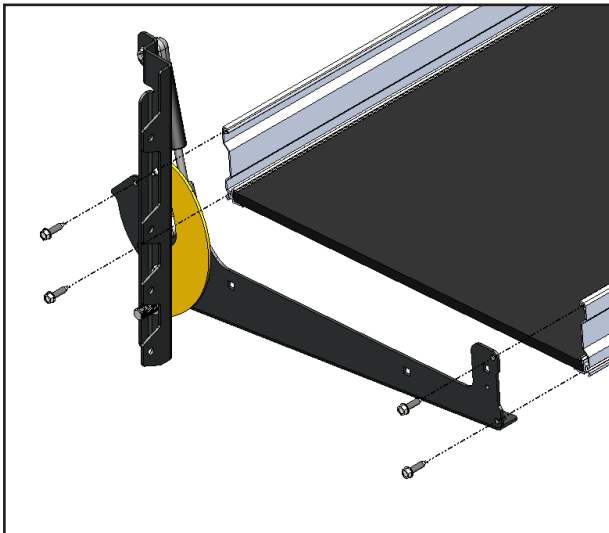
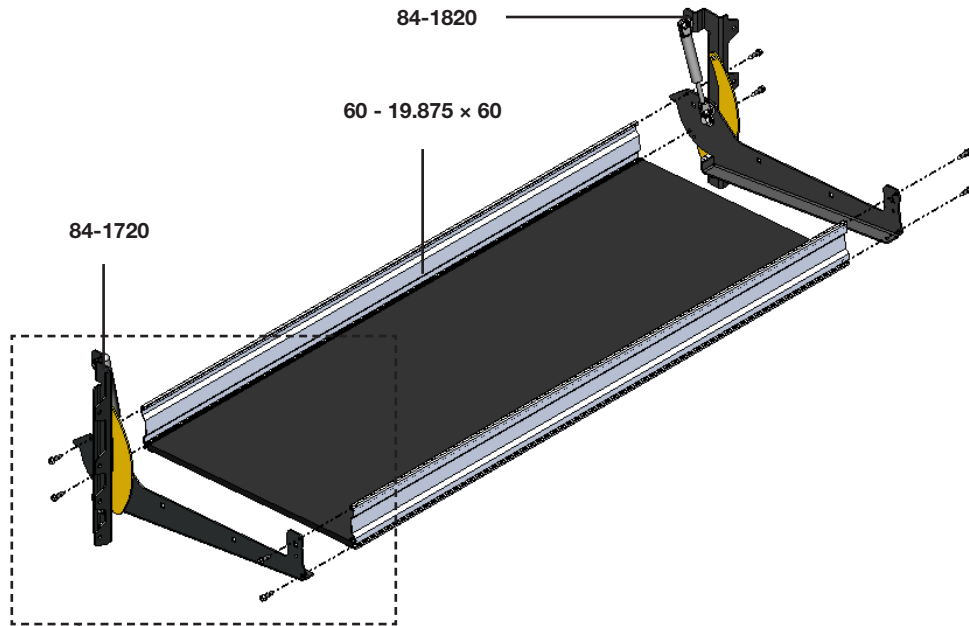


#98-116 Flat Washer

PHASE 1 – ASSEMBLY

1.2 FOLD-AWAY ASSEMBLY

1.2.1 Screw the left and right end panels to the shelf tray.



TOOLS

- Cordless Impact
- 3/8" Driver Bit

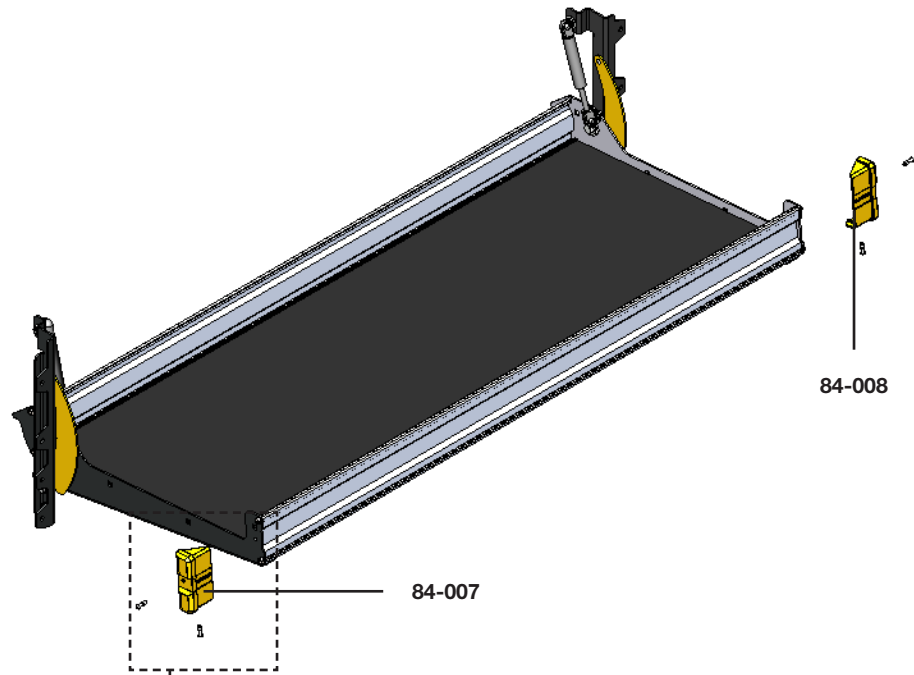
HARDWARE USED

8x



#92-102 Screw #14 x 1"

1.2.2 Rivet the end caps on the front edge of the shelf tray.



TOOLS

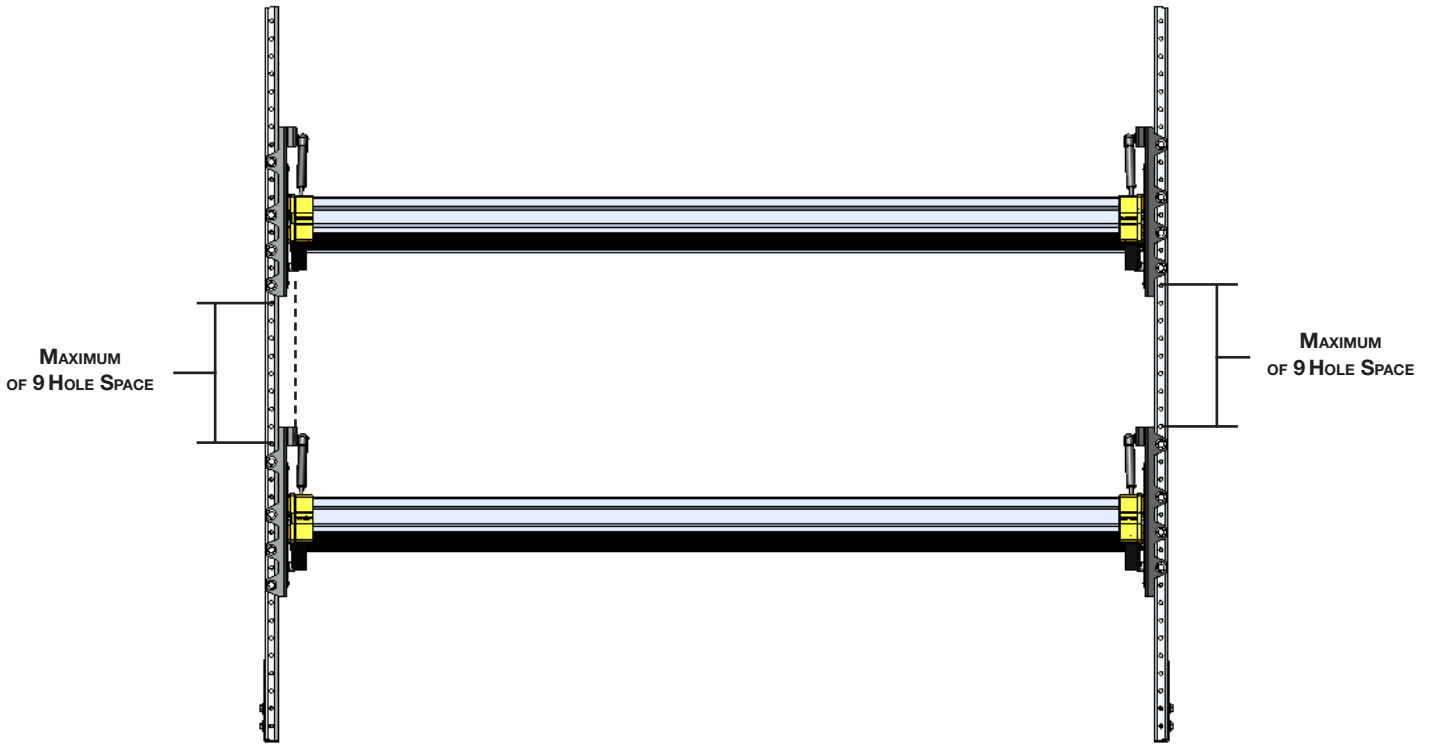
- Rivet Gun

HARDWARE USED

4x

	#96-200 Closed Rivet
--	----------------------

1.2.5 Attach the shelf trays to the posts.



FROM

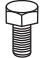


TO

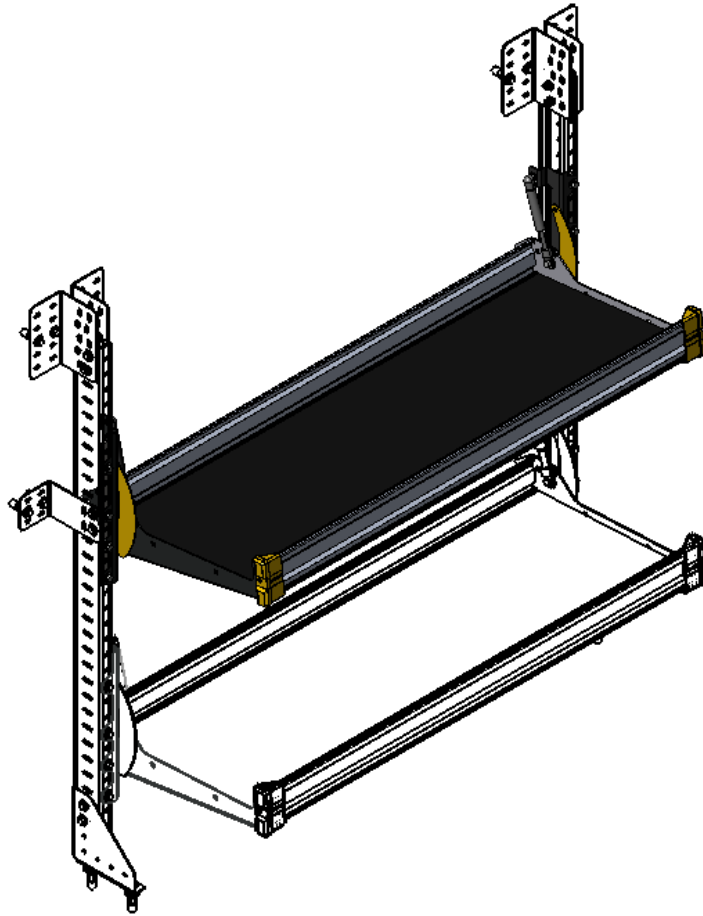
TOOLS

- Cordless Impact
- 1/2" Socket

HARDWARE USED

16x

	#90-204 Hex Bolt 5/16" x 3/4"
	#98-122 Lock Washer
	#98-116 Flat Washer



**“You have successfully installed your
Fold-Away Shelf Tray**

Thank you for doing business with us.”

For any feedback or suggestions you may have, please contact: cs@rangerdesign.com

