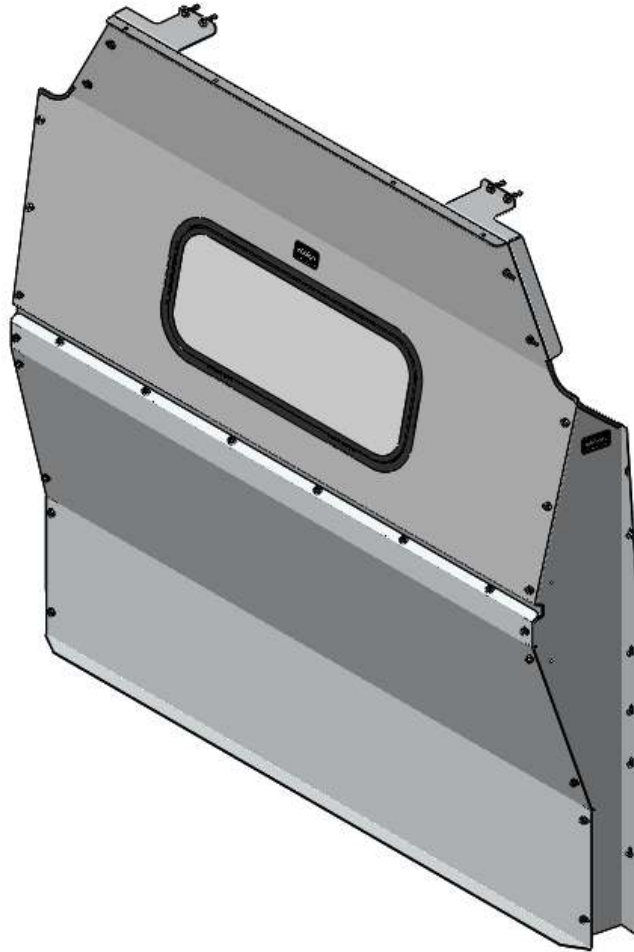


INSTALLATION GUIDE



3020-FTM CONTOURED PARTITION

Transit Partition (Tempered Glass Window, Aluminum)



QUICK START GUIDE

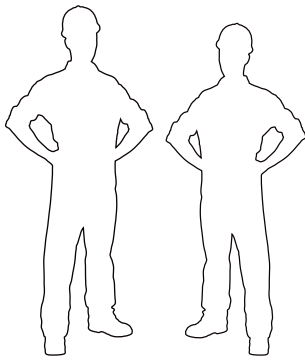
Phase 1 - Assembly

<input type="checkbox"/> 1.1 Setup.....	3
<input type="checkbox"/> 1.1.1 Unpack components; compare with the bill of materials.....	3
<input type="checkbox"/> 1.1.2 Verify all parts are present.....	3
<input type="checkbox"/> 1.1.3 Identify the assembly and installation fastener bags.....	4
<input type="checkbox"/> 1.2 Partition assembly.....	5
<input type="checkbox"/> 1.2.1 Remove all the PVC from all the parts, then attach the upper panel to the lower panel.....	5
<input type="checkbox"/> 1.2.2 Attach both wings to the upper and lower panels.....	5
<input type="checkbox"/> 1.2.3 Attach the passenger and driver side ceiling brackets on the upper panel.....	6
<input type="checkbox"/> 1.2.4 Attach the edge trims on these locations.....	6

Phase 2 - Installation

<input type="checkbox"/> 2.1 Tips on how to attach a plusnut.....	7
<input type="checkbox"/> 2.1.1 Attach plusnut using plusnut gun.....	7
<input type="checkbox"/> 2.1.2 Attach plusnut using 6490 plusnut tool.....	7
<input type="checkbox"/> 2.2 Vehicle preparation.....	8
<input type="checkbox"/> 2.2.1 Ceiling preparation.....	8
<input type="checkbox"/> 2.2.2 Driver and passenger sides preparation.....	9
<input type="checkbox"/> 2.3 Contoured partition installation.....	10
<input type="checkbox"/> 2.3.1 Attach both wings to the van.....	10
<input type="checkbox"/> 2.3.2 Attach the driver and passenger side ceiling brackets to the van.....	11
<input type="checkbox"/> 2.3.3 Apply the warning label on the passenger side wing.....	11

REQUIRED ITEMS



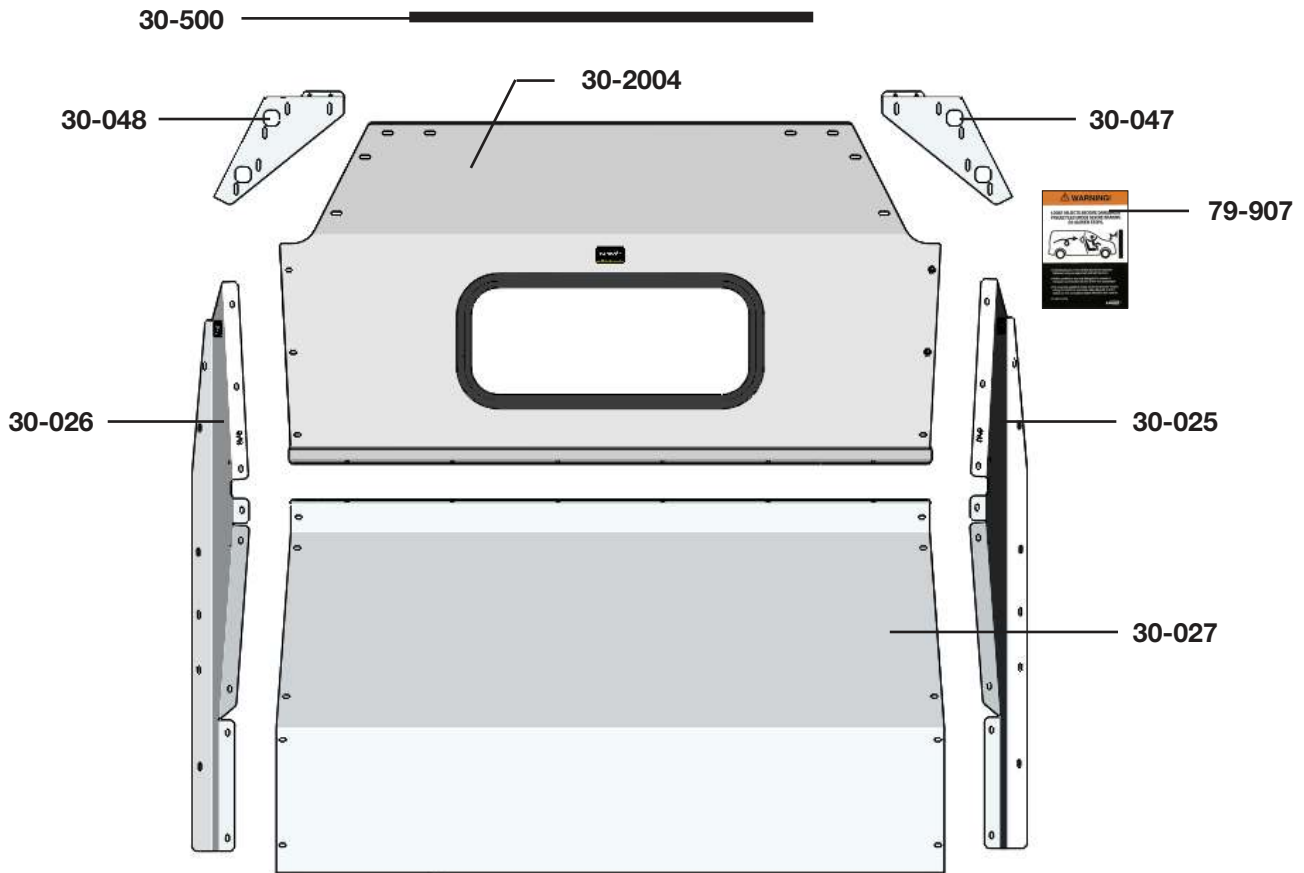
2
PERSONS

- Cordless Impact
- Cordless Drill
- Cutter
- Mallet
- Marker
- Plusnut Tool
- Tape Measure
- 3/8" Drill Bit
- 7/16" Socket
- 1/2" Socket
- 9/16" Wrench
- 10mm Socket

PHASE 1 – ASSEMBLY

1.1 SETUP

1.1.1 Unpack components; compare with the bill of materials.





1.1.2 Verify all parts are present.

Item No.	Description	Qty.
30-025	Passenger Side Wing	1
30-026	Driver Side Wing	1
30-027	Lower Panel	1
30-047	Passenger Side Ceiling Bracket	1
30-048	Driver Side Ceiling Bracket	1
30-500	Edge Trim (QTY in Inches)	21
79-907	Warning Label	1
30-2004	Upper Panel w/ Window	1
94-3019	Assembly Fastener Bag	1
96-3011	Installation Fastener Bag	1



1.1.3 Identify the **Assembly** and **Installation** fastener bags.

Assembly Fastener Bag →

- 6x  # 90-204 Hex Bolt
5/16"-18 x 3/4"
GR-5 ZINC
- 24x  # 90-484 Carriage Bolt
5/16"-18 x 5/8"
ZINC
- 30x  # 94-116 Serrated Nut
5/16"-18
ZINC
- 6x  # 98-116 Flat Washer
5/16", 7/8" OD
ZINC

Hardware Assembly

- 6x
-  #90-204 Hex Bolt 5/16" x 3/4"
 -  #98-116 Flat Washer
 -  #94-116 Serrated Nut

- 24x
-  #90-484 Carriage Bolt 5/16" x 5/8"
 -  #94-116 Serrated Nut

Installation Fastener Bag →

- 9x  # 90-118 Hex Bolt
1/4"-20 x 1-1/4"
GR-5 ZINC
- 5x  # 90-971 Hex Bolt
M6-1.0 x 20mm
1022 BO
- 9x  # 94-130 Plusnut .250
- 9x  # 98-112 Flat Washer
1/4", 3/4" OD
ZINC
- 9x  # 98-118 Lock Washer
Regular 1/4"
ZINC

Hardware Assembly

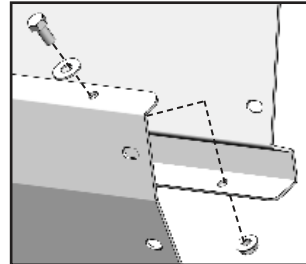
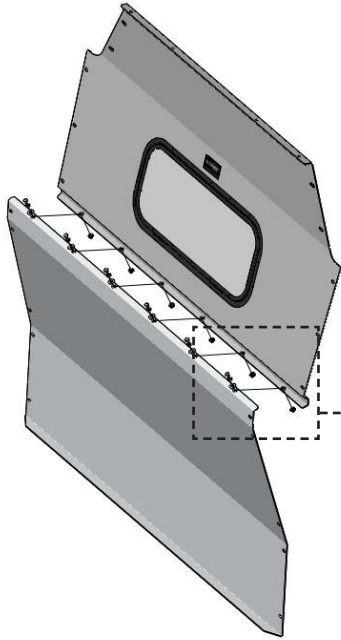
- 9x
-  #90-118 Hex Bolt 1/4" x 1-1/4"
 -  #98-118 Lock Washer
 -  #98-112 Flat Washer
 -  #94-130 Plusnut .250

- 5x
-  #90-971 Hex Bolt M6-1.0 x 20mm

PHASE 1 – ASSEMBLY

1.2 PARTITION ASSEMBLY

1.2.1 Remove all the PVC from all the parts, then attach the upper panel to the lower panel.






TOOLS

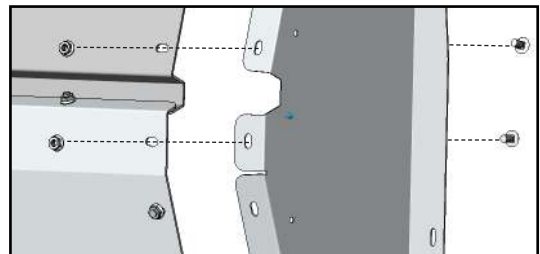
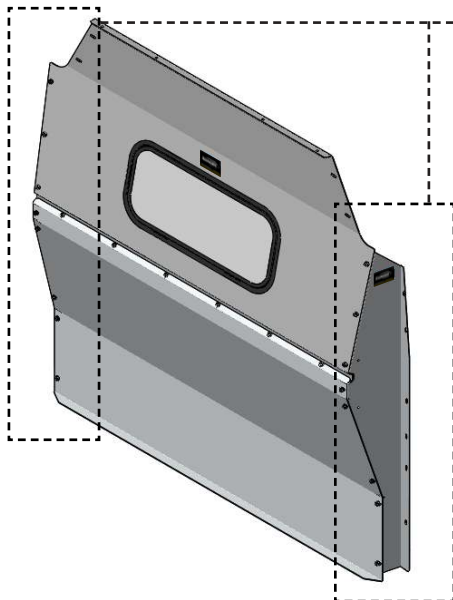
- Cordless Impact
- 1/2" Socket

HARDWARE USED

6x

-  #90-204 Hex Bolt 5/16" x 3/4"
-  #98-116 Flat Washer
-  #94-116 Serrated Nut

1.2.2 Attach both wings to the upper and lower panels.





TOOLS

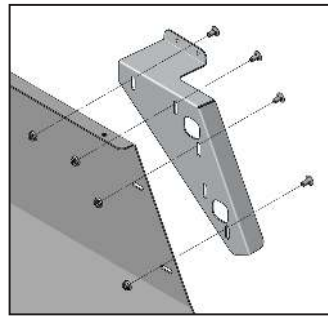
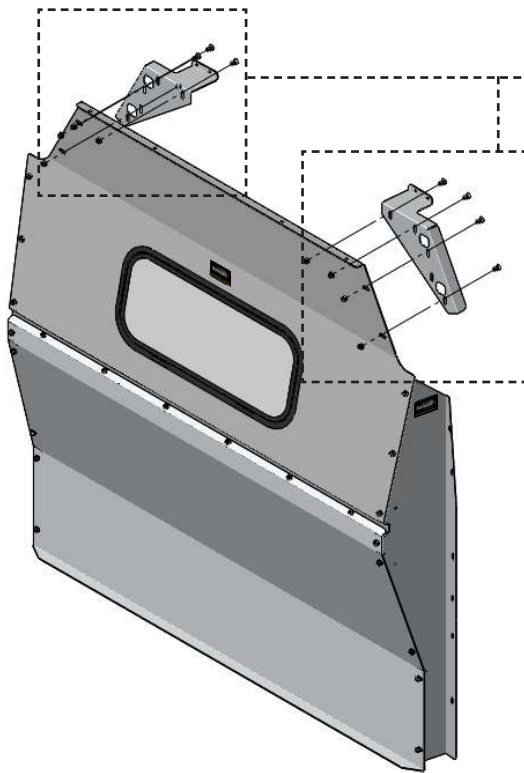
- Cordless Impact
- 1/2" Socket

HARDWARE USED

16x

-  #90-484 Carriage Bolt 5/16" x 5/8"
-  #94-116 Serrated Nut

1.2.3 Attach the passenger and driver side ceiling brackets on the upper panel.



TOOLS

- Cordless Impact
- 1/2" Socket

HARDWARE USED

8x

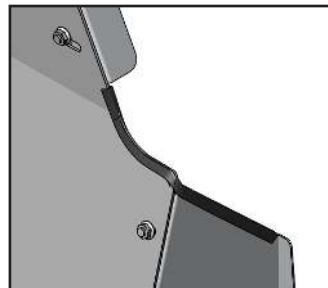
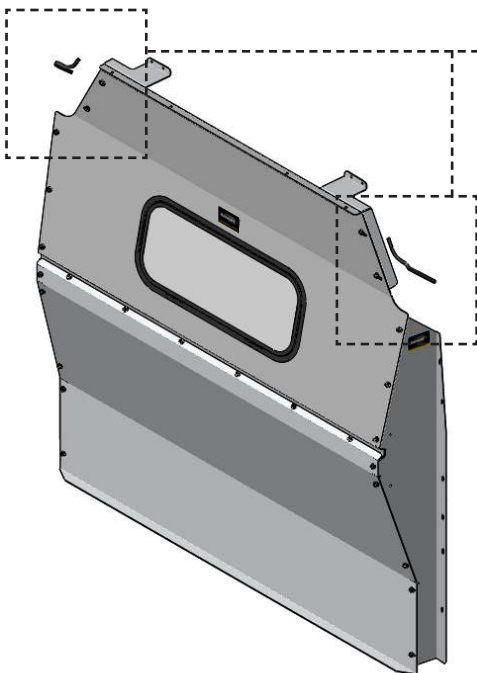


#90-484 Carriage Bolt 5/16" x 5/8"



#94-116 Serrated Nut

1.2.4 Attach the edge trims on these locations.



TOOLS

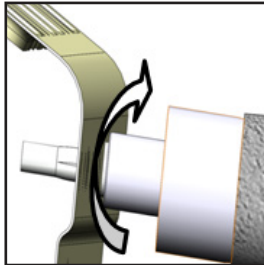
- Mallet
- Cutter

PHASE 2 – INSTALLATION

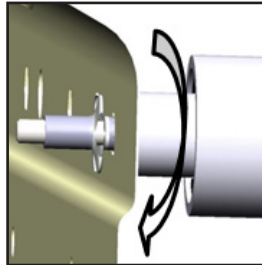
2.1 TIPS ON HOW TO ATTACH A PLUSNUT

2.1.1 Attach the plusnut using the plusnut gun.

TIPS: Put the plusnut on the plusnut gun, then attach the plusnut in the hole by turning the gun forward until the plusnut locks, then remove the gun by turning in reverse.



FORWARD



REVERSE



2.1.2 Attach the plusnut using the 6490 plusnut tool.

NOTE: The hardware used for the 6490 plusnut tool is not included in the fastener bag. The 6490 plusnut tool can be ordered separately upon demand at no charge.



6490

HARDWARE USED

-  Flat washer 1/4"
-  Flat washer 1/4" BS x 3/4" OD

TOOLS

- Cordless Impact
- 7/16" Socket
- 9/16" Wrench

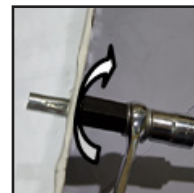
TIPS STEP 1:

Assemble the 6490 plusnut tool with the hardware needed, plusnut and the 9/16" wrench as shown.



TIPS STEP 2:

Attach the plusnut in the hole by turning the bolt forward using an impact with a 7/16" socket until the plusnut locks, then remove the bolt by turning the impact in reverse.



FORWARD

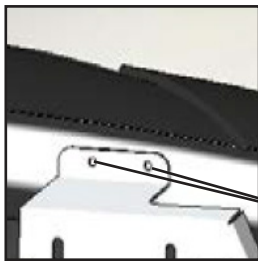
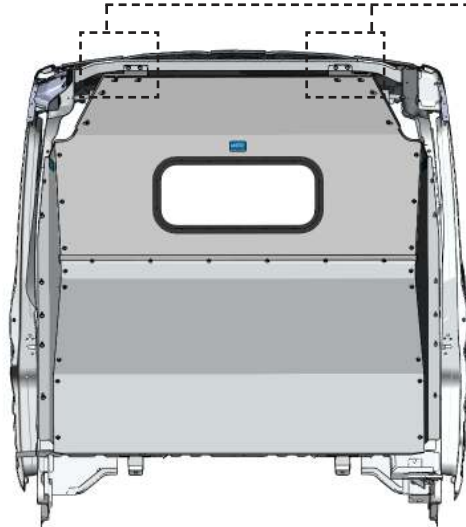


REVERSE

PHASE 2 – INSTALLATION

2.2 VEHICLE PREPARATION

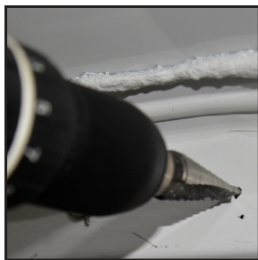
2.2.1 Ceiling preparation.



Lift the assembled partition inside the van and put it in place, then put 4 marks on the van through the holes of the driver and passenger side ceiling brackets.

TOOLS

- Marker



Put the assembled partition on the side, then drill the 4 marks using the 3/8" drill bit or step drill.

TOOLS

- Cordless Drill
- 3/8" Drill Bit or Step Drill



Attach plusnuts in the 4 holes.

TOOLS

- Plusnut Tool

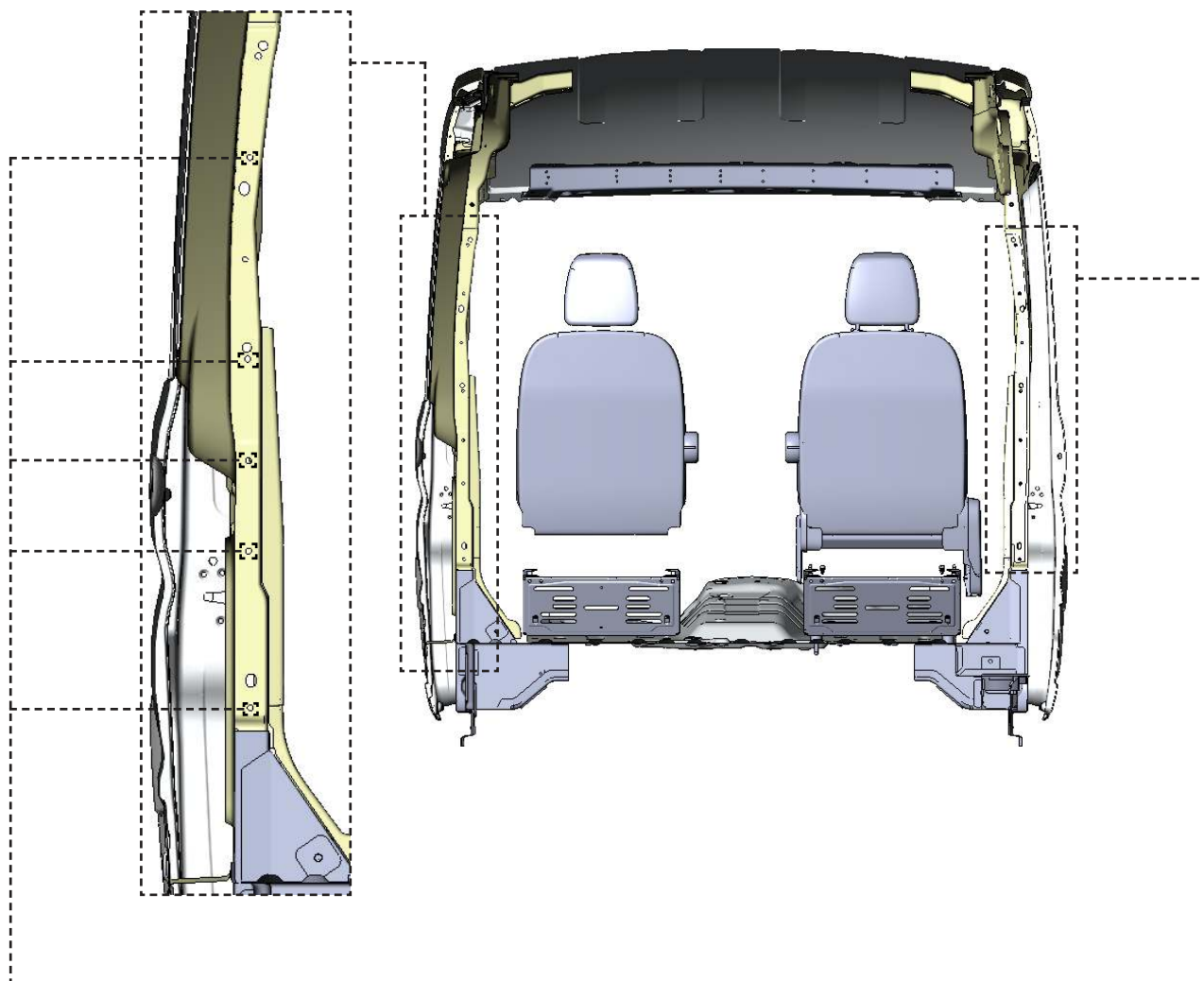
HARDWARE USED

4x



94-130
Plusnut .250

2.2.2 Driver and passenger sides preparation.



Attach plusnuts on the five factory holes.



TOOLS

- Plusnut Tool

HARDWARE USED

5x



94-130
Plusnut .250

Remove the factory handle in the van.



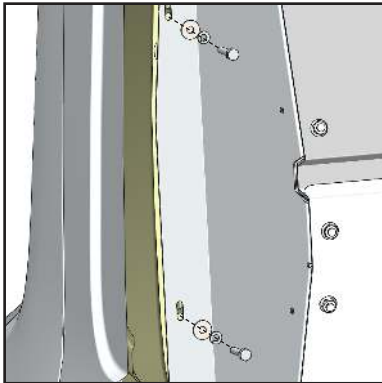
TOOLS

- Cordless Impact
- 10mm Socket

PHASE 2 – INSTALLATION

2.3 CONTOURED PARTITION INSTALLATION

2.3.1 Attach both wings to the van.






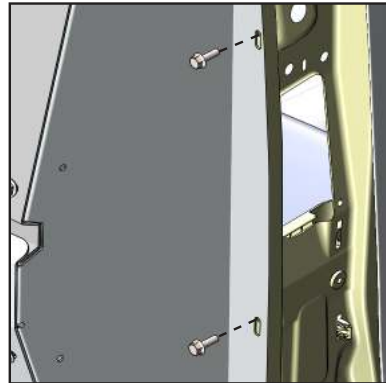
TOOLS

- Cordless Impact
- 7/16" Socket

HARDWARE USED

5x

-  #90-118 Hex Bolt 1/4" x 1-1/4"
-  #98-118 Lock Washer
-  #98-112 Flat Washer



TOOLS

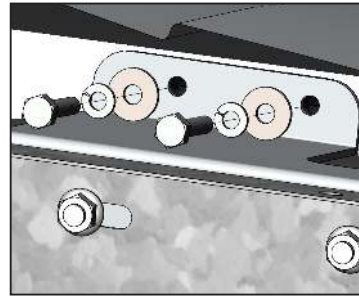
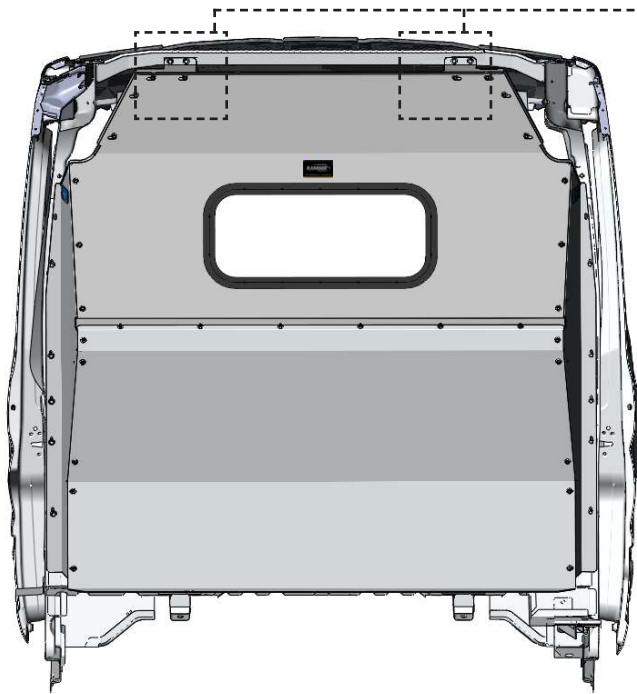
- Cordless Drill
- 10mm Socket

HARDWARE USED

5x

-  #90-971 Hex Bolt M6-1.0 x 20mm

2.3.2 Attach the driver and passenger side ceiling brackets to the van.






TOOLS

- Cordless Impact
- 7/16" Socket

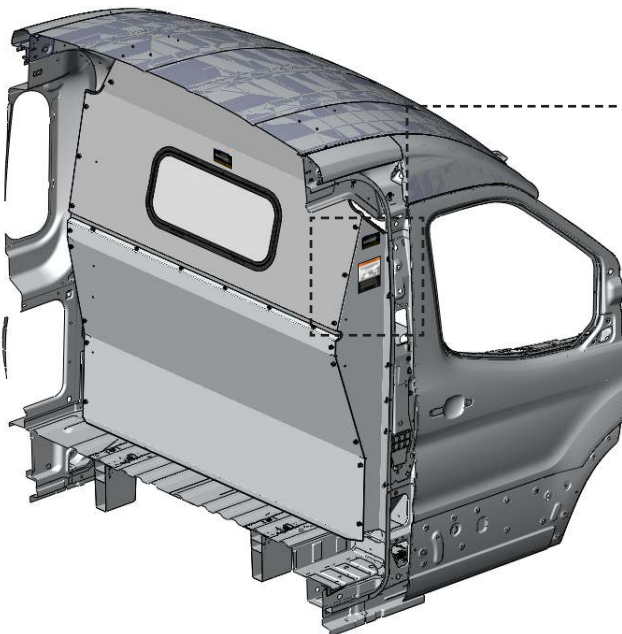
HARDWARE USED

4x

-  #90-118 Hex Bolt 1/4" x 1-1/4"
-  #98-118 Lock Washer
-  #98-112 Flat Washer

2.3.3 Apply the warning label on the passenger side wing.

NOTE: Put the warning label in a place where it's easy to see.





**“Congratulations, you have successfully installed your
Contoured Partition!”**

Thank you for doing business with us.”

